

Technical data

| | operation when directly connected to chimney | |
|--|--|---------------------------|
| | HAKA 63/51W | HAKA 63/51WI |
| Energy label | A+ | A+ |
| Operating data | | |
| Nominal heat power / Power absorbed to water | 14,5 / 10 kW | 14,5 / 11,3 kW |
| Efficiency | > 80 % | > 80 % |
| Consumption of wood | 4 kg/h | 4 kg/h |
| Mass flow of flue gas | 13 g/s | 13 g/s |
| Required chimney pressure | 12 Pa | 12 Pa |
| Required amount of combustion air | 35 m ³ /h | 35 m ³ /h |
| Average flue gas temperature | | |
| on the output | 225 °C | 225 °C |
| Heat distribution | | |
| fireplace insert | 18 % | 8 % |
| door glass (single / double) | 0 / 17 % | 0 / 17 % |
| water | 65 % | 75 % |
| Water exchanger specifications | | |
| Maximum working pressure | 2,5 bar | 2,5 bar |
| Minimum return water temperature | 60 °C | 60 °C |
| Water capacity | 60 liters | 60 liters |
| Connection input / output | 1" / 1" | 1" / 1" |
| Information for builds | | |
| Minimal grill area supply / outgoing (with vent. grill) | 350 / 400 cm ² | 300 / 350 cm ² |
| Minimum radiant area ³ (without vent. grill) | suitable | suitable |
| Minimum distance from insulated areas / floor | 40 / 0 mm | 20 / 0 mm |
| Reference insulation ¹ ceiling / back wall / side wall / floor | 100 / 60 / 60 / 0 mm | 80 / 40 / 40 / 0 mm |
| Calciumsilicate insulation ² ceiling / back wall / side wall / floor | 75 / 45 / 45 / 0 mm | 60 / 25 / 25 / 0 mm |
| General technical information | | |
| Total weight / lining weight | circa 322 / 96 kg | circa 330 / 96 kg |
| Burning chamber dimensions (width x depth) | 525 x 315 mm | |
| Combustion air connection | Ø 125 mm | |
| Use in non-ventilated accumulation builds according to craft rules | suitable ⁴ | |
| Tested according to | EN 13229 | |
| Meets values | 1. BlmSchV (Stufe2), 15a BVG | |

1 Mineral wool according to AGI-Q 132

2 Example SkamoEnclosure Board 225 kg/m³

3 Depends on accumulation period and material characteristics. Listed values calculated with average specific heat output = approx. 500 W/m²

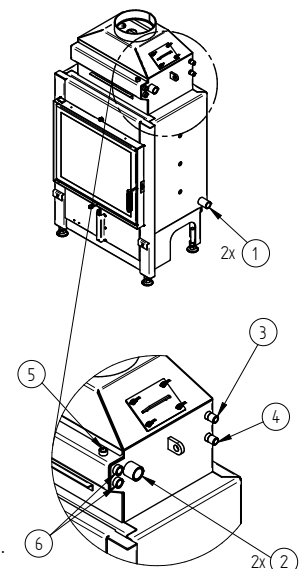
4 With regard to the inspection capability and maximum ambient temperatures of the external switching devices (e.g. TAS/SV)

Technical data

| | operation when directly connected to chimney | |
|--|--|---------------------------|
| | HAKA 63/51W+ | HAKA 63/51WI+ |
| Energy label | A+ | A+ |
| Operating data | | |
| Nominal heat power / Power absorbed to water | 22 / 13,2 kW | 22 / 17,2 kW |
| Efficiency | > 80 % | > 80 % |
| Consumption of wood | 6 kg/h | 6 kg/h |
| Mass flow of flue gas | 17 g/s | 17 g/s |
| Required chimney pressure | 12 Pa | 12 Pa |
| Required amount of combustion air | 55 m ³ /h | 55 m ³ /h |
| Average flue gas temperature | | |
| on the output | 250 °C | 250 °C |
| Heat distribution | | |
| fireplace insert | 20 % | 10 % |
| door glass (single / double) | 0 / 20 % | 0 / 20 % |
| water | 60 % | 70 % |
| Water exchanger specifications | | |
| Maximum working pressure | 2,5 bar | 2,5 bar |
| Minimum return water temperature | 60 °C | 60 °C |
| Water capacity | 60 liters | 60 liters |
| Connection input / output | 1,5 / 1,5 Zoll | 1,5 / 1,5 Zoll |
| Information for builds | | |
| Minimal grill area supply / outgoing (with vent. grill) | 600 / 700 cm ² | 500 / 600 cm ² |
| Minimum radiant area ³ (without vent. grill) | suitable | suitable |
| Minimum distance from insulated areas / floor | 40 / 0 mm | 20 / 0 mm |
| Reference insulation ¹ ceiling / back wall / side wall / floor | 80 / 40 / 40 / 0 mm | 80 / 40 / 40 / 0 mm |
| Calciumsilicate insulation ² ceiling / back wall / side wall / floor | 60 / 25 / 25 / 0 mm | 60 / 25 / 25 / 0 mm |
| General technical information | | |
| Total weight / lining weight | circa 322 / 96 kg | circa 330 / 96 kg |
| Burning chamber dimensions (width x depth) | 525 x 315 mm | |
| Combustion air connection | Ø 150 mm | |
| Use in non-ventilated accumulation builds according to craft rules | suitable ⁴ | |
| Tested according to | EN 13229 | |
| Meets values | 1. BlmSchV (Stufe2), 15a BVG | |

| Nr. | Thread size | Description |
|-----|-------------|---|
| 1 | G 1" (AG) | Water supply from heating system - min. 60°C |
| 2 | G 1" (AG) | Hot water supply to heating system |
| 3 | G 1/2" (AG) | Water supply from the waterlines into the cooling loop |
| 4 | G 1/2" (AG) | Discharge of water from the cooling loop into the waste |
| 5 | G 3/8" (IG) | Pocket for air vent valve |
| 6 | G 1/2" (IG) | Pocket for thermal sensors |

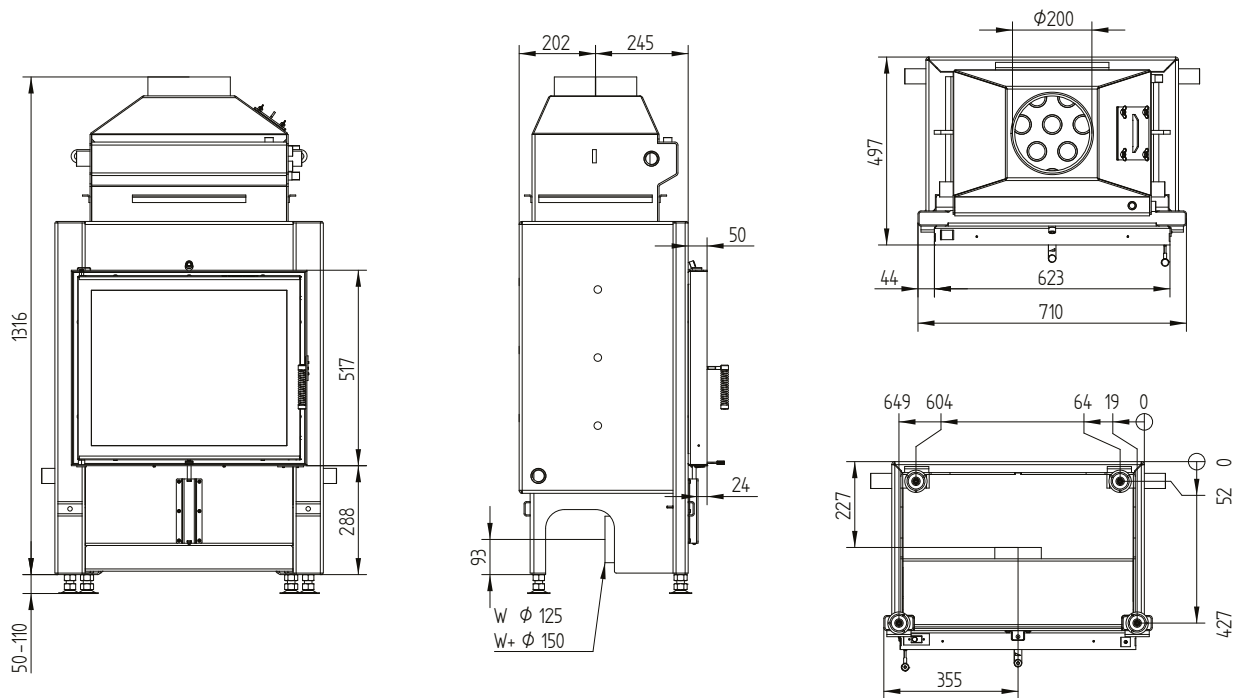
- 1 Mineral wool according to AGI-Q 132
- 2 Example SkamoEnclosure Board 225 kg/m³
- 3 Depends on accumulation period and material characteristics. Listed values calculated with average specific heat output = approx. 500 W/m²
- 4 With regard to the inspection capability and maximum ambient temperatures of the external switching devices (e.g. TAS/SV)



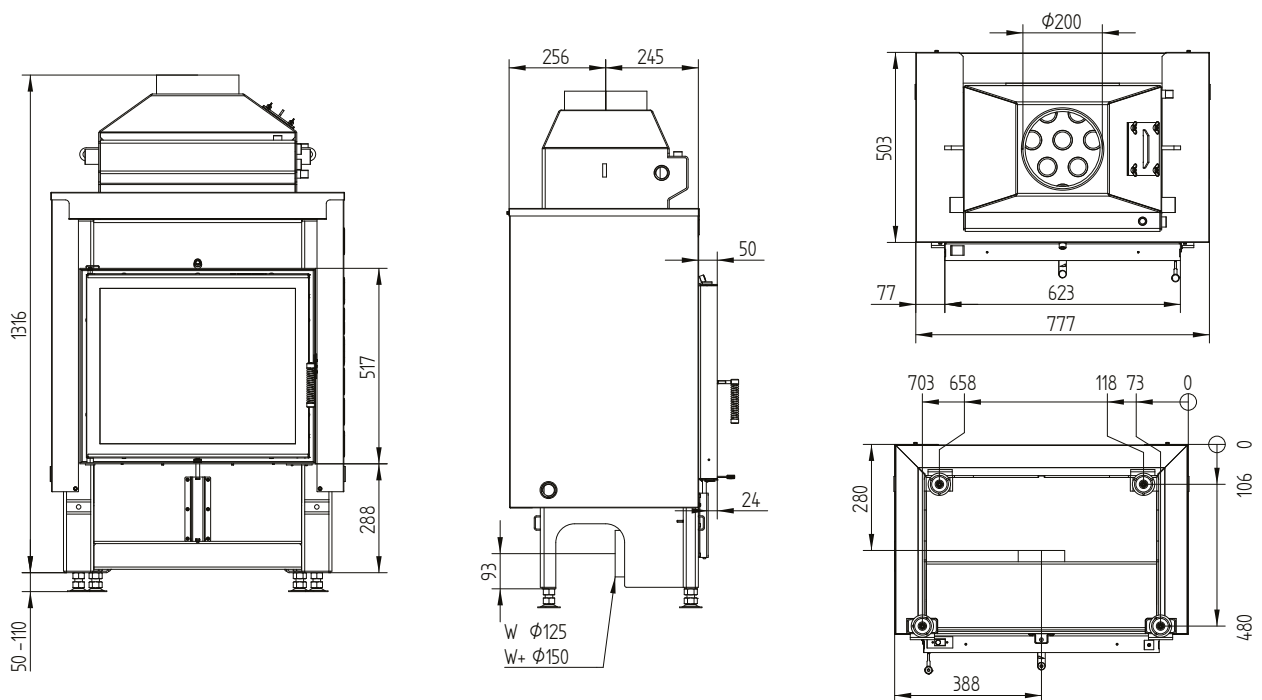
HAKA 63/51W

Technical data
Version 09/2023

HAKA 63/51W, HAKA 63/51W extra power+ / air inlet / feet



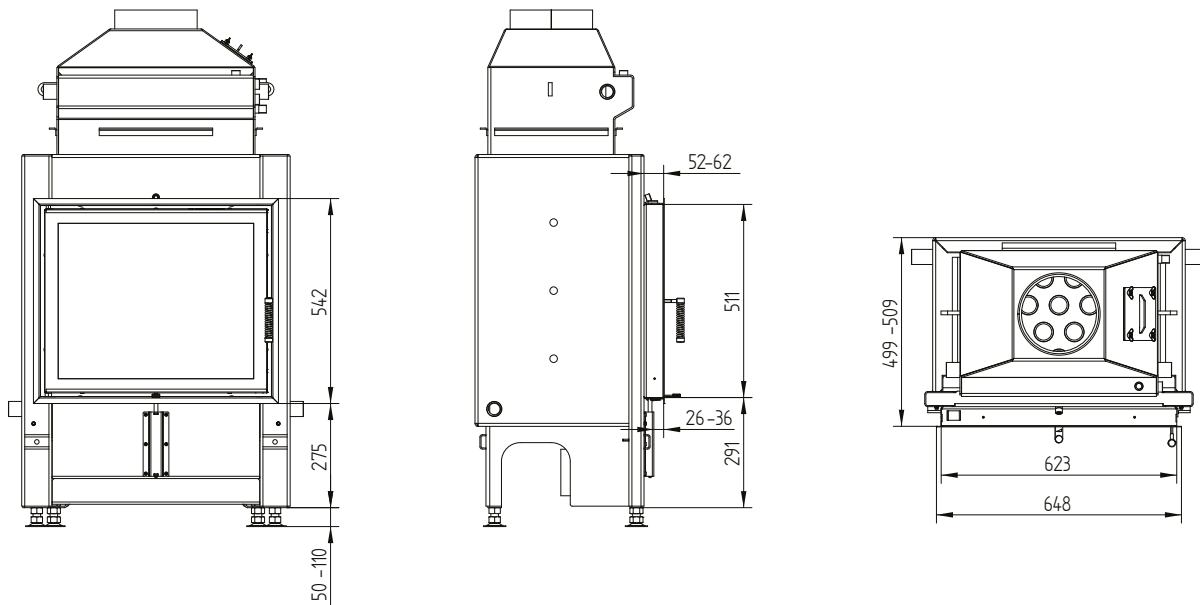
HAKA 63/51WI insulation, HAKA 63/51WI insulation extra power+ / air inlet / feet



HAKA 63/51W

Technical data
Version 09/2023

Cover frame 63/51 4sides 50 mm 1 x 90°



HAKA 63/51W

Technical data
Version 09/2023

Cover frame 63/51 4sides 80 mm 2 x 45°

